

DATASHEET

Name:
Type:
Designed by:

WHISTLE
Pendant Light
Lucie Koldova



DESCRIPTION

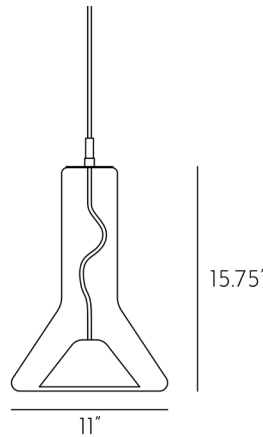
The Whistle collection is, quite literally, a living reference to the work of glassmakers, as inspiration for the design was taken from the blowpipe, which in Czech is known as a glassmaker's whistle. The lucid body of the piece traces the silhouette of a cone of light, and a distant spotlight with hand-pressed metal shield constitutes its imaginary heart.

TECH. DESCRIPTION

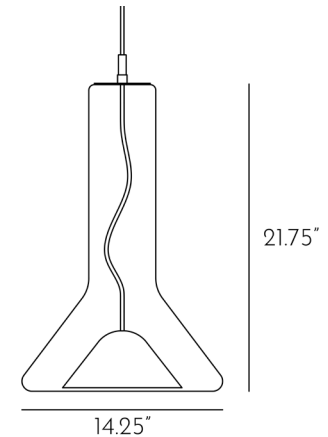
The light consists of a glass body with Brokis connector and lead cable with connector. The bottom section comprises a metal reflector with GX53 light source socket. The light includes a metal ceiling canopy.



CERTIFICATES



Product ID: PC952



Product ID: PC953

CONSTRUCTION SPECIFICATIONS

Weight: 2.7 kg
Construction material: Glass, metal
Cord Length: 2,000 mm
Mounting: Ceiling
Environment: Indoor

2.7 kg
Glass, metal
2,000 mm
Ceiling
Indoor

ELECTRICAL SPECIFICATIONS

Input voltage [V]: 230 V
Frequency [Hz]: 50-60 Hz
Max. power [W]: 15 W
Coverage IP: 20
Socket: GX53
Light source: -
Energy class: A+ to B depending on light source

230 V
50-60 Hz
15 W
20
GX53
-
A+ to B depending on light source



LED SOURCE

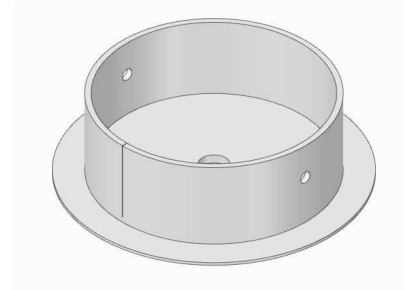
| | |
|-----------------------|-------------|
| Socket | GX53 |
| Type | LED |
| Lamp wattage [W] | 10 W |
| Input voltage [V] | 220-240 VDC |
| Energy class | A+ |
| Flux [lm] | 700 lm |
| Light colour [K] | 2700K |
| CRI | 90+ |
| Lifespan [h] | 25,000 hr |
| Dimmable | yes |
| Dimensions h x w [mm] | 39 x 90 mm |



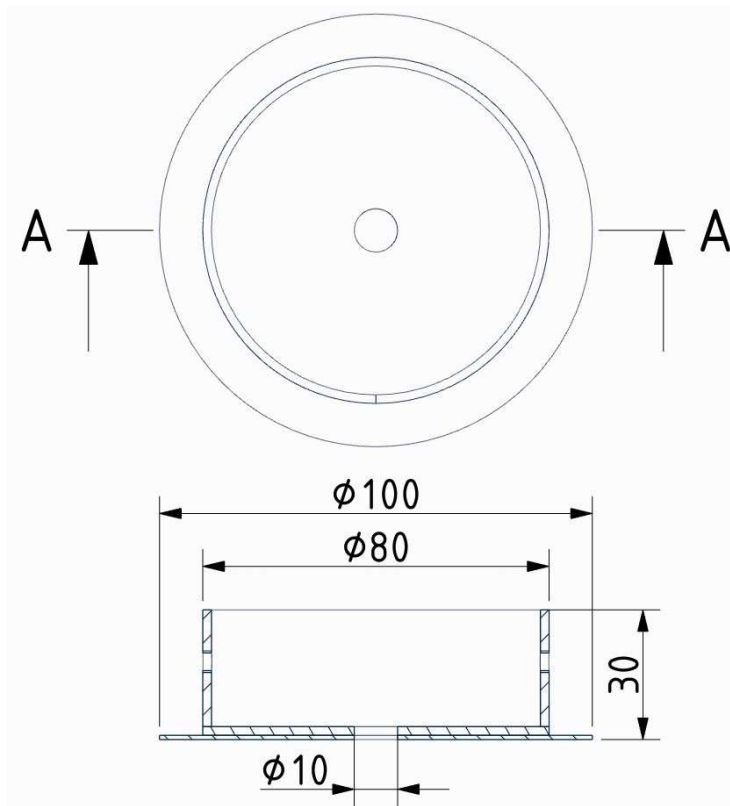
Product ID: CM2353

CEILING CANOPY

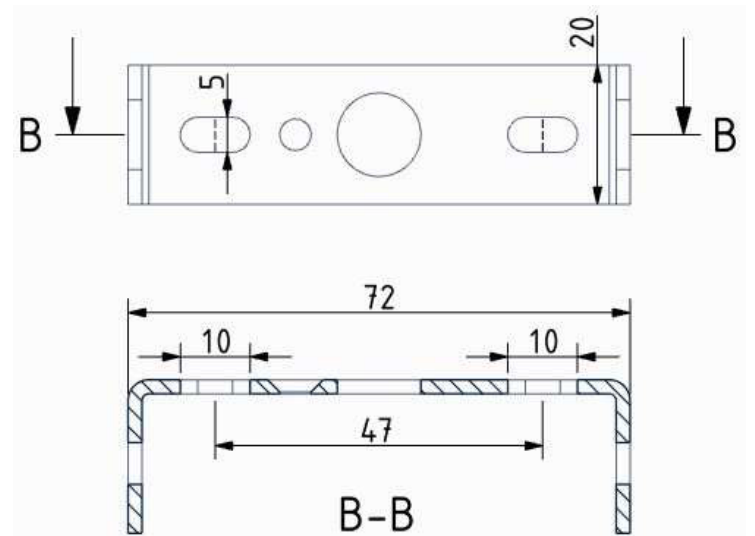
| | |
|--------------------------------------|--------------------------|
| Dimensions \varnothing x w [in/mm] | 4" x 1.25" / 100 x 30 mm |
| Weight [kg] | 0.25 kg |
| Material | metal |



Drawing



Canopy bracket



PRODUCT DETAILS

Glass Colour

| | |
|---------------------------------|--------|
| Transparent glass | CGC23 |
| Smoke grey - transparent glass | CGC516 |
| Smoke brown - transparent glass | CGC538 |
| Opaline - transparent glass | CGC38 |

Glass Surface

| | |
|---------------|--------|
| Glossy Finish | CGSU66 |
|---------------|--------|

Body Finishes

| | |
|---------|--------|
| Copper | CCS584 |
| Brass | CCS69 |
| Chrome | CCS275 |
| Black | CCS582 |
| White | CCS575 |
| Grey | CCS720 |
| Magenta | CCS724 |
| Menthol | CCS723 |

Canopy Finishes

| | |
|-------------------------------------|---------|
| Copper | CCSC896 |
| Brass | CCSC897 |
| Chrome | CCSC895 |
| Iron - Black matte powder coating | CCSC619 |
| Iron - White matte powder coating | CCSC618 |
| Iron - Grey matte powder coating | CCSC894 |
| Iron - Magenta matte powder coating | CCSC892 |
| Iron - Mentol matte powder coating | CCSC893 |

Connection method

| | |
|------------------|---------|
| Brokis connector | CCM1019 |
|------------------|---------|

Recommended Bulbs

| | |
|--|--------|
| 230V, GX53, 10W, 2700K, 700lm, RA90, 100°, DIM | CEB717 |
|--|--------|

Dimmable version

| | |
|------------------------------------|----------|
| Non-dimmable version | CEDV1457 |
| RF system - remote control version | CEDV1461 |
| PWM Single | CEDV1459 |
| 1-10V | CEDV1460 |
| DALI version | CEDV1458 |
| AC phase-out | CEDV1730 |

Cable Colour

| | |
|----------------------------|----------|
| Textile cable - Black | CECL519 |
| Textile cable - White | CECL521 |
| Textile cable - Light grey | CECL1918 |
| Textile cable - Dark grey | CECL520 |
| Textile cable - Magenta | CECL726 |
| Textile cable - Menthol | CECL725 |